

M12 male 0° / M12 female 0° 8p. shielded EN

TPE 4x2x24AWG SF/UTP CAT5e bu UL/CSA, CM 1.5m

Ethernet CAT5

Male straight – female straight

M12 – M12, 8-pole

shielded

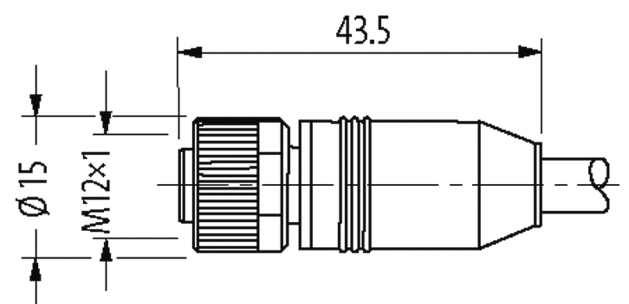
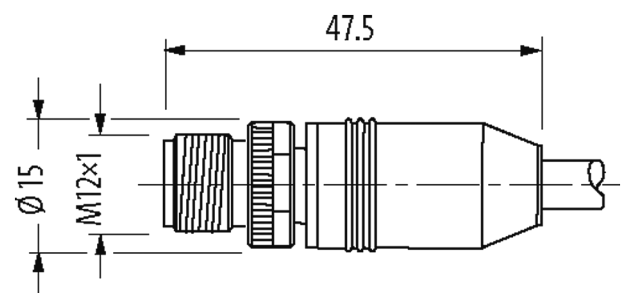
USA

Cable is approved for 600 V

Plastic housings with good resistance against chemicals and oils.

The resistance to aggressive media should be individually tested for your application. Further details on request.

Further cable lengths on request.

[Link to Product](#)**Illustration**

Product may differ from Image

Approvals

* only for products with UL/CSA approved cable

More Info

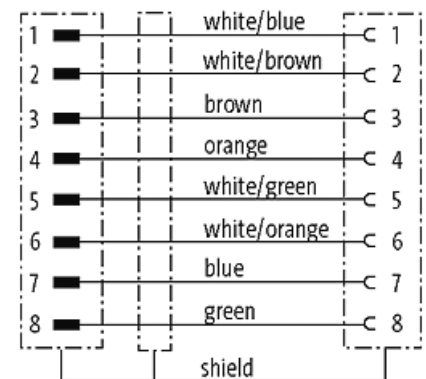
EtherNet/IP

Form	
Form	48571
General data	
Standards	DIN EN 61076-2-101 (M12)
Mounting method	inserted, tightened
Pollution Degree	2
Temperature range	-25...+85 °C, depending on cable quality
Cables	
No./diameter of wires	4 × 2 × 0.25 mm ²
Wire isolation	HDPE (whbl, bl, whor, or, whgn, gn, whbr, br)
C-track properties	1 Mio.
Jacket Color	blue
Material (jacket)	TPE (UL/CSA)
Outer Ø	7.6 mm ±5%
Bend radius (moving)	10 × outer Ø
Temperature range (fixed)	-40...+80 °C
Temperature range (mobile)	-40...+80 °C
Cable identification	S4W
Cable weight [g/m]	74,80
Material (wire)	Cu wire, tin plated
Construction (core)	7 × 0.203 mm
Diameter (core)	4 × 2 × 0.25 mm ²
AWG	similar to AWG 24
Material (wire isolation)	HDPE
Wire-Ø incl. isolation	1.17 mm ±5%
Color/numbering of wires	(wh-bl, bl) + (wh-or, or) + (wh-gn, gn) + (wh-br, br)
Shield	yes
	min. 75%
Material (jacket)	TPE
Outer-Ø (jacket)	7.6 mm ±5%
Color (jacket)	(wh-bl, bl) + (wh-or, or) + (wh-gn, gn) + (wh-br, br)
Temperature range (fixed)	-40...+80 °C
Temperature range (mobile)	-40...+80 °C
Bend radius (fixed)	5 × outer Ø
No. of bending cycles (C-track)	max. 1 Mio. (25 °C)
Torsion stress	3 Mio.
Technical Data	
Operating voltage	max. 60 V AC/DC
Operating voltage (only UL listed)	max. 30 V AC/DC
Rated surge voltage	0.8 kV
Operating current per contact	max. 2 A
Material group	IEC 60664-1, category I
No. of poles	8
Configuration	fully used
Transfer parameters	CAT5, Class D (ISO/IEC 11801:2002), (EN 50173-1)
Transfer rate	1 Gbit/s
Coding	A-coded

LED display	no
Locking of ports	Screw thread (M12×1 mm) recommended torque 0.6 Nm, self-securing
Compression gland	M12 (SW13)
Protection	IP65 and IP67 when plugged and screwed down (EN 60529)
Locking material	Zinc die casting, matte nickel plated
Material	PUR
suitable for corrugated tube (internal Ø)	without

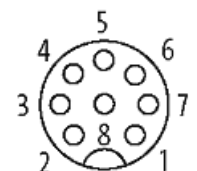
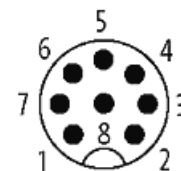
Commercial data

country of origin	DE
customs tariff number	85444290
EAN	4048879579926
eClass	27061801
Packaging unit	1

Sketch

Male

Female



Product may differ from Image